

# MDTA Series

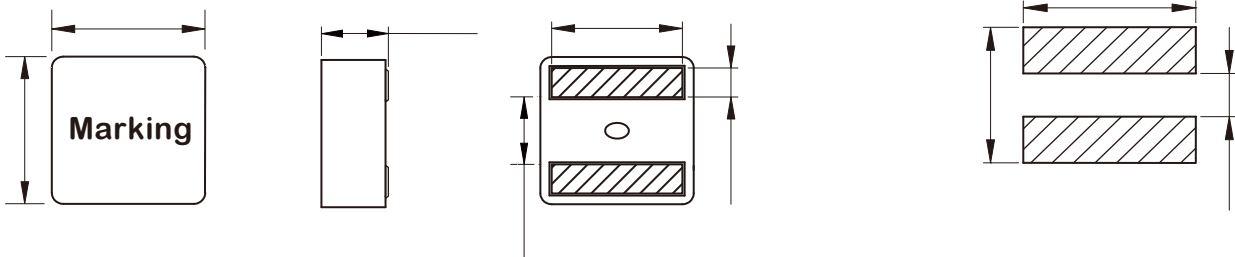


## FEATURES

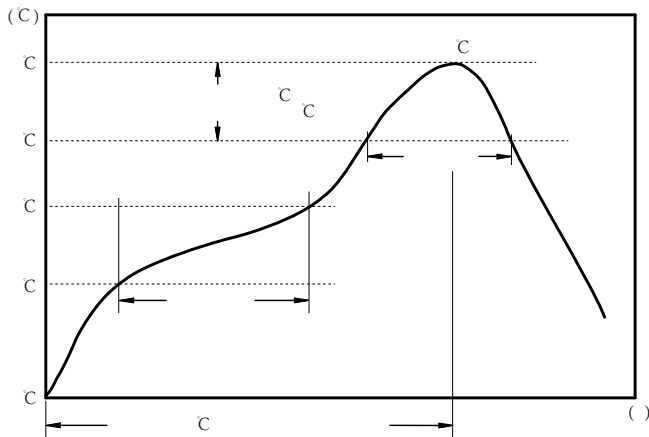
- Flat wire coil for low copper losses
- Composite core material allows high saturation currents
- Very low acoustic noise and very low leakage flux noise
- High current capability and handles high transient current spikes
- AEC-Q200 qualified
- Operating temperature -55 to +155°C (Including self-temperature rise)
- Quantity: 1000pcs

## APPLICATION

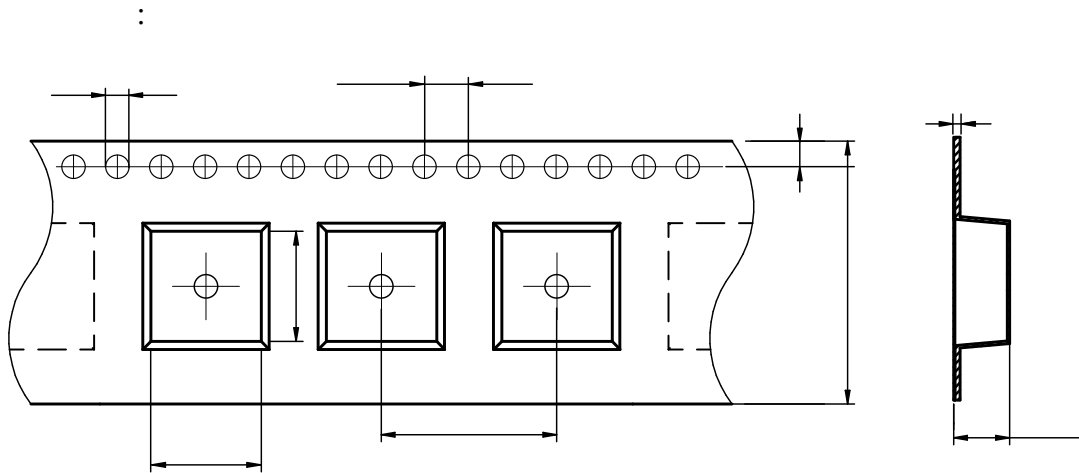
- DC/DC converters for entertainment/navigation systems
- Noise suppression for motors: windshield wipers / power seats / power mirrors / heating and ventilation blowers / HID lighting
- LED drivers



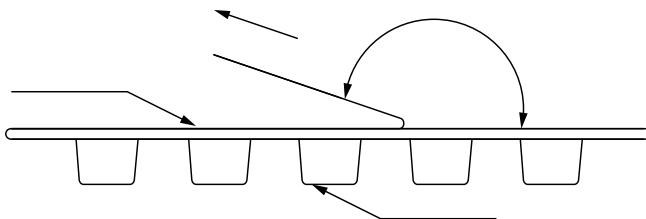
MDTA1030-R28M	0.28	±20%	65.0	25.5	35.0	1.60
MDTA1030-R56M	0.56	±20%	44.0	23.0	32.0	2.75
MDTA1030-R82M	0.82	±20%	38.0	18.0	25.0	4.10
MDTA1030-1R0M	1.00	±20%	35.0	16.0	23.0	4.95
MDTA1030-1R5M	1.50	±20%	30.0	12.0	18.0	6.60



c  
c  
c

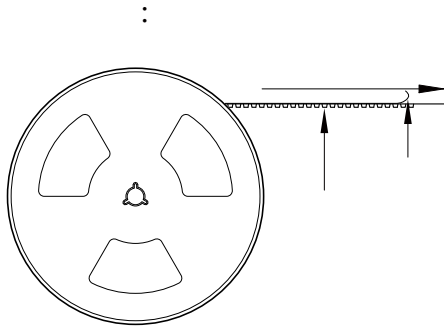


MDTA1030	12.4± 0.1	11.5± 0.1	1.5± 0.1	4.0± 0.1	16.0± 0.1	24.0± 0.3	3.3± 0.1	1.75± 0.1	0.40± 0.05

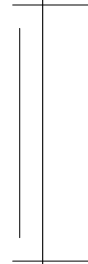


The peel force of top cover tape shall be between 0.1 to 1.3 N

Marking	Printing Inductance)
---------	----------------------



\_\_\_\_\_



\_\_\_\_\_