

## MDE Series

### Molding Power Inductors

#### Size 252012S



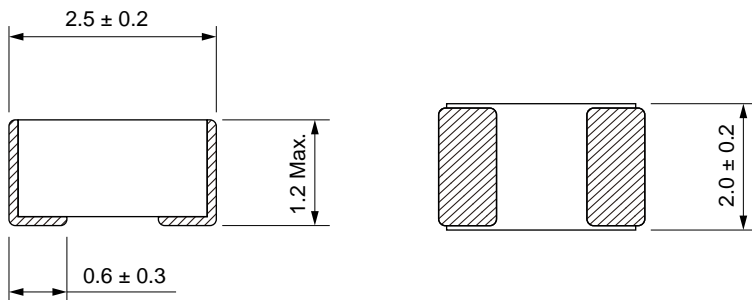
#### FEATURES

- High saturation current realized by material properties and structure design.
- Low DC resistance to achieve high conversion efficiency and lower temperature rising.
- Low Profile.
- Magnetically shielded structure to accomplish high resolution in EMC protection.
- Halogen free, Lead Free, RoHS Compliance.

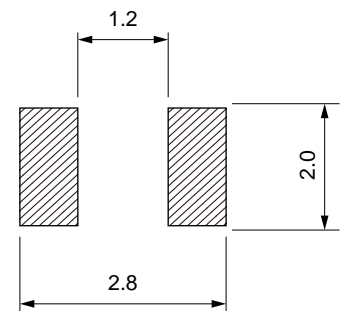
#### APPLICATION

- Generic in portable DC to DC converter line.
- Smart phone, PAD
- DC/DC converter
- Thin-type power supply module.

#### Dimensions: [mm]



#### Land Pattern: [mm]



#### Electrical Properties:

Part No	Inductance @ 1MHz/1V	Tolerance	DC Resistance Typ.	DC Resistance Max.	Current Typ.	Current Max.	Temperature Rise Current Typ.	Temperature Rise Current Max.
MDE252012S-R47M	0.47				6.8	6.2	5.8	4.9
MDE252012S-1R0M	1.0				4.8	4.3	3.9	3.3
MDE252012S-2R2M	2.2			89	3.5	3.2	2.5	2.2

Operating temperature range - 40 °C to + 125 °C

Temperature rising current will cause the coil temperature approximate  $\Delta T 40^{\circ}C$

Saturation current will cause to drop approximately 30%

